

DIGITAL PWM IC

1.0 General Description

The G5199 is a high performance AC/DC power supply controller which uses digital control technology to build peak current mode PWM flyback power supplies. The device operates in quasi-resonant mode to provide high efficiency along with a number of key built-in protection features while minimizing the external component count, simplifying EMI design and lowering the total bill of material cost. The G5199 removes the need for secondary feedback circuit while achieving excellent line and load regulation. It also eliminates the need for loop compensation components while maintaining stability over all operating conditions. Pulse-by-pulse waveform analysis allows for a loop response that is much faster than traditional solutions, resulting in improved dynamic load response for both one-time and repetitive load transients. The built-in power limit function enables optimized transformer design in universal off-line applications and allows for a wide input voltage range. GlobalSemi's innovative proprietary technology ensures that power supplies built with the G5199 can achieve both highest average active efficiency and less than 30 mW no-load power consumption, and have fast dynamic load response in a compact form factor in typical 12 W and above applications. The active start-up scheme enables shortest possible start-up time without sacrificing no-load power loss.

Features

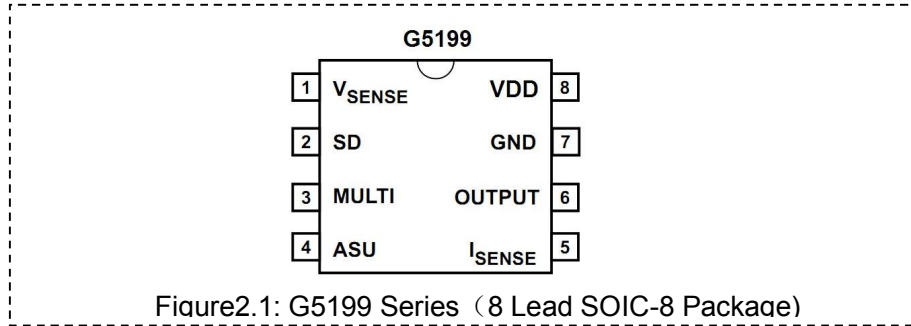
- ◆ No-load power consumption < 30 mW at 230 VAC along with fast dynamic load response and short turn-on delay time in typical 12 W compact adapter/charger applications
- ◆ Tight constant-voltage and constant-current regulation across line and load range
- ◆ Primary-side feedback eliminates opto-isolators and simplifies design
- ◆ Proprietary optimized 89 kHz maximum PWM switching frequency with quasi-resonant operation achieves best size, efficiency and common mode noise
- ◆ User-configurable 5-level cable drop compensation provides design flexibility
- ◆ Adaptive multi-mode PWM/PFM control improves efficiency
- ◆ No external loop compensation components required
- ◆ Complies with EPA 2.0 energy-efficiency specifications with ample margin
- ◆ Built-in single-point fault protection features: output short-circuit protection, output over-voltage protection, over-current protection and current-sense-resistor fault protection
- ◆ Dedicated pins for external over-temperature protection and over-voltage protection, with latch function available
- ◆ No audible noise over entire operating range

Applications

- Compact AC/DC adapter/chargers for media tablets and smart phones
- AC/DC adapters for consumer electronics

2.0 Products Information

2.1 Pin configuration



Pin#	Name	I/O	Description
1	V _{SENSE}	Analog Input	Auxiliary voltage sense (used for primary regulation).
2	SD	Analog Input	External shutdown control. Used for external over-temperature protection (OTP) by connecting an NTC resistor from this pin to Ground.
3	MULTI	Analog Input	Shared multi-function pin. Used for external cable drop compensation (CDC) configuration and supplemental over-voltage protection (OVP).
4	ASU	Output	Control signal for active start-up device (BJT or depletion mode NFET).
5	I _{SENSE}	Analog Input	Primary current sense. Used for cycle-by-cycle peak current control and limit.
6	OUTPUT	Output	Gate drive for external MOSFET switch.
7	GND	Ground	Ground.
8	VDD	Power Input	Power supply for control logic.

2.2 Marking Information

Part Number	Marking Information
G5199	HAXXX

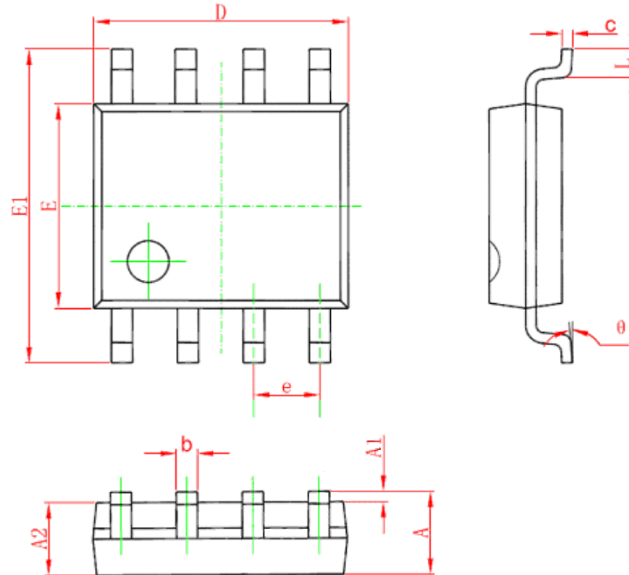
2.3 Series description

Part Number	Description
G5199-02	No OVP/OTP latch
G5199-03	OVP/OTP latch

3.0 Package Information

SOIC-8

8-Pin Plastic SOP



Symbol	Dimension in Millimeters		Dimensions in Inches	
	Min	Max	Min	Max
A	1.350	1.750	0.053	0.069
A1	0.050	0.250	0.002	0.010
A2	1.250	1.650	0.049	0.065
b	0.310	0.510	0.012	0.020
c	0.100	0.250	0.004	0.010
D	4.700	5.150	0.185	0.203
E	3.800	4.000	0.150	0.157
E1	5.800	6.200	0.228	0.244
e	1.270(BSC)		0.050(BSC)	
L	0.400	1.270	0.016	0.050
θ	0°	8°	0°	8°

Data and specifications subject to change without notice.

This product has been designed and qualified for Industrial Level and Lead-Free. Qualification Standards can be found on GS's Web site.

Global Semiconductor HEADQUARTERS:

Scotia Centre, 4th Floor, P.O. Box 2804, George Town, Grand Cayman KY1-1112, Cayman

Visit us at www.globalsemi-group.com for sales contact information.

